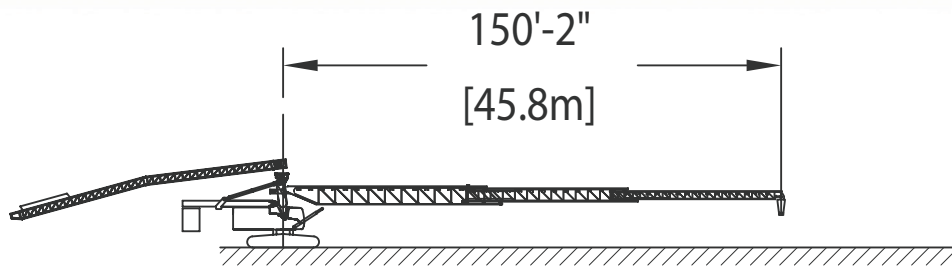
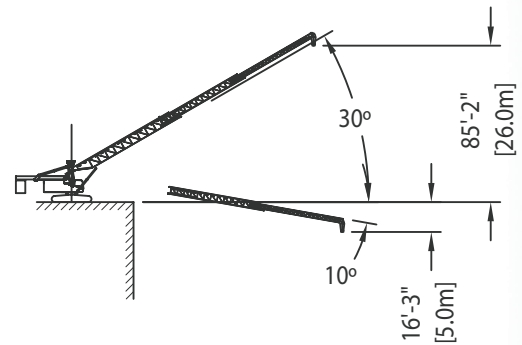
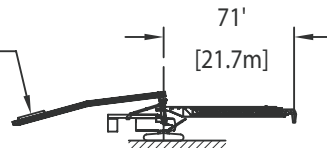


CONCRETE PLACER CP-24-150



FEEDER CONVEYOR
24" BELT, LENGTH AS NECESSARY
POWERED BY CRAWLER CHASSIS



CP-24-150	
belt width	610M (24")
total reach	45.8M (150')
conveyor capacity	350 cu.M/hr at 0° incline (actual capacity depends on inclined angle and material properties)
secondary telescopic counterweight	~18,100 Kg (40,000 lbs)
chassis	Caterpillar excavator 345 or 365 class
power source	chassis provides all necessary power for both the main and feeder conveyors

SUBJECT TO MODIFICATIONS



RCC Conveyors, Inc.
AGGREGATE, CONCRETE, BULK MATERIAL PLACING SOLUTIONS

