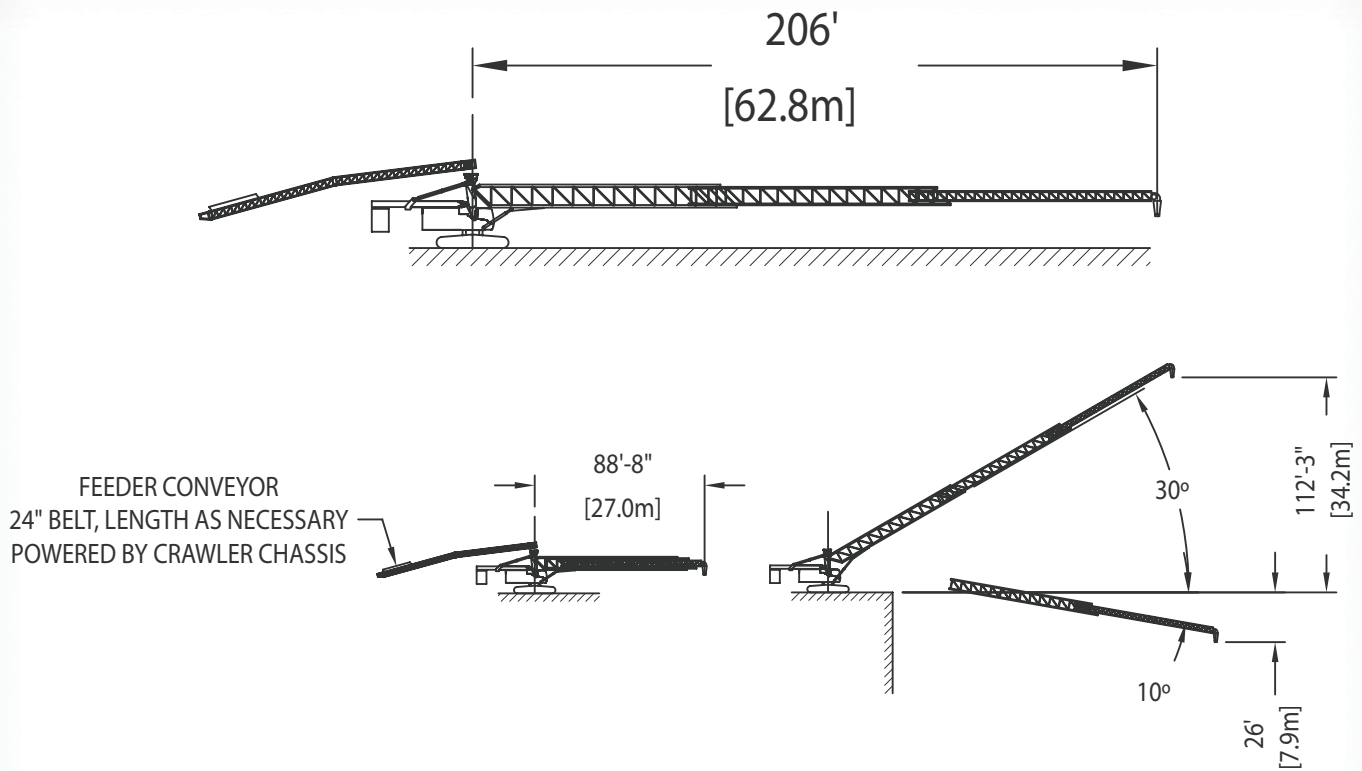


CONCRETE PLACER CP-24-206



CP-24-206	
belt width	610M (24")
total reach	63M (206')
conveyor capacity	350 cu.M/hr at 0° incline (actual capacity depends on inclined angle and material properties)
secondary telescopic counterweight	~20,400 Kg (45,000 lbs)
chassis	Caterpillar excavator 365 class
power source	chassis provides all necessary power for both the main and feeder conveyors

SUBJECT TO MODIFICATIONS



RCC Conveyors, Inc.
AGGREGATE, CONCRETE, BULK MATERIAL PLACING SOLUTIONS

