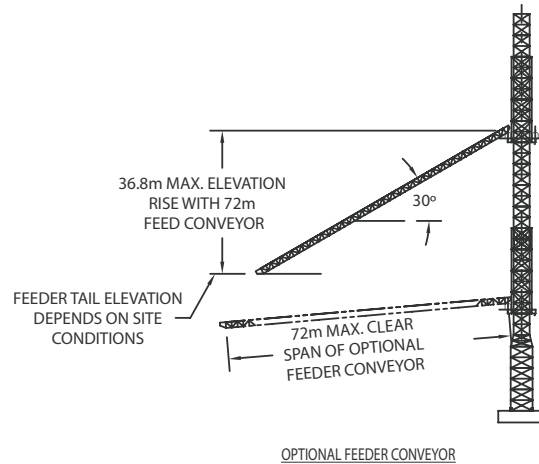
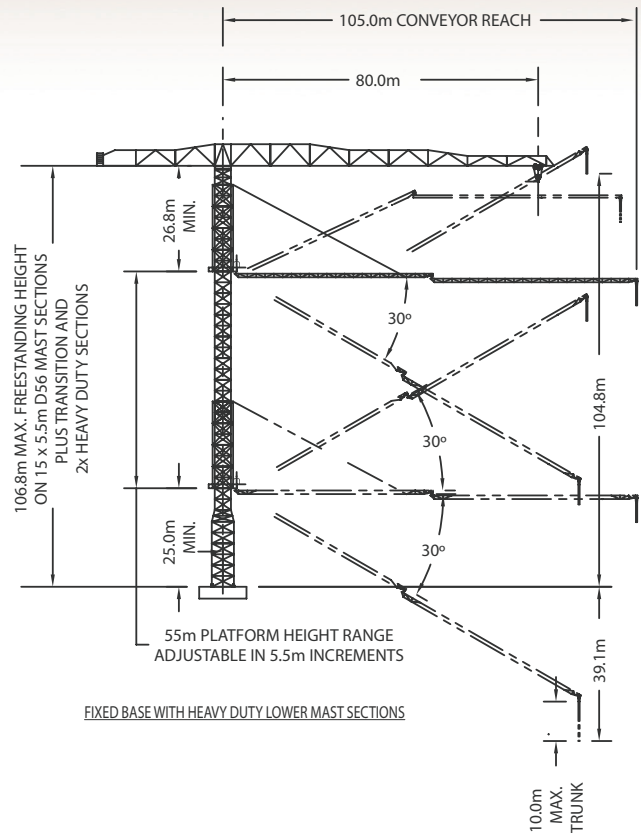
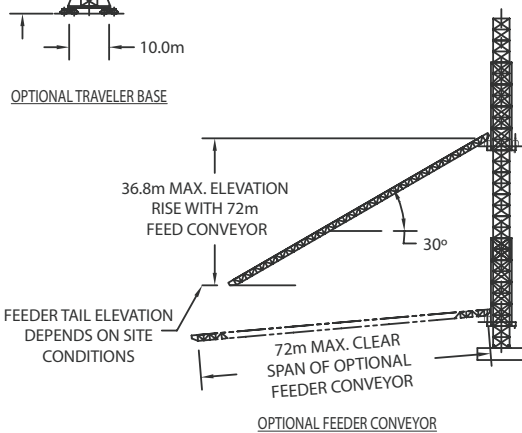
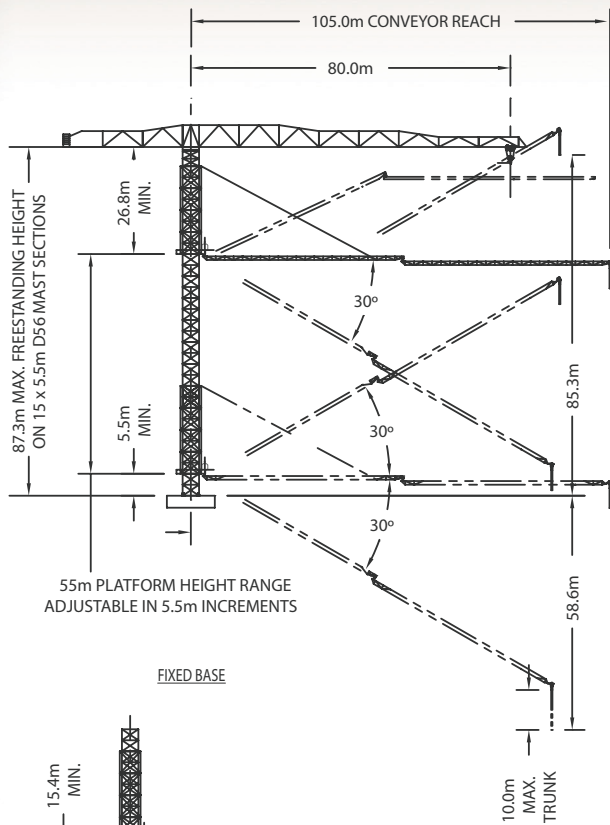
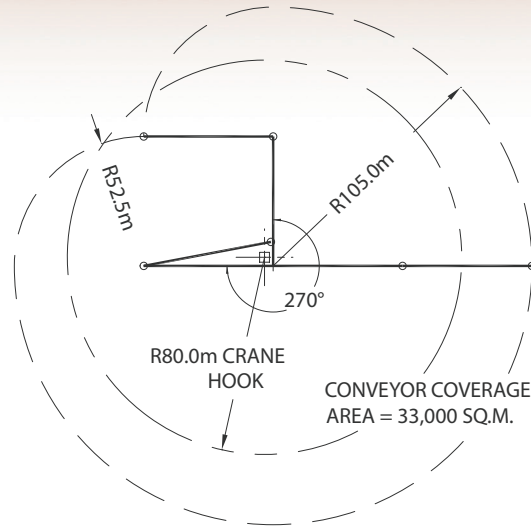


TOWER PLACER TLC-105-24-80



SUBJECT TO MODIFICATIONS

TOWER PLACER TLC-105-24-80



PLAN OF CONVEYOR COVERAGE

	FIXED BASE	FIXED BASE WITH HEAVY DUTY LOWER MAST SECTIONS
conveyor length	105M (2 x 52.5M)	105M (2 x 52.5M)
conveyor belt width	610MM	610MM
conveyor capacity	350 cu.M/hr at 0° incline (actual capacity depends on inclined angle and material properties)	350 cu.M/hr at 0° incline (actual capacity depends on inclined angle and material properties)
conveyor inclined angle	+30° to -30°	+30° to -30°
conveyor inner rotation	270°	270°
conveyor outer rotation	360°	360°
max aggregate size	150 MM	150 MM
movable platform on crane mast	yes	yes
tower crane	Linden Comasa model 30LC1450-64T	Linden Comasa model 30LC1450-64T
max hook capacity	64T	64T
hook radius	80 M	80 M
base	fixed or traveler	fixed
max tower sections	(15) 4.0M X 4.0M X 5.5M mast sections	(15) 4.0M X 4.0M X 5.5M mast sections plus (1) 3.0M transition section and (2) 5.5M D66 sections
max height under hook with fixed base	83.3M	97.3M
max height under hook with traveling base	82.2M	N/A
additional height possible	with use of tower tie-backs	with use of tower tie-backs

SUBJECT TO MODIFICATIONS